

# RELAYS & CONTACTORS



## FUNCTIONAL DEVICES RELAY IN A BOX DRY CONTACT INPUT SERIES

**RIB01BDC, RIB01SBDC, RIB02BDC, RIB02SBDC, RIB21CDC**

### DESCRIPTION

The **Functional Devices RIB Series dry contact input** is controlled by Class 2 circuits with a dry contact from a BAS controller, thermostat, switch, another relay, or a solid-state switch. The power to energize the **RIB Series** comes from the load being controlled or a local power source near the relay. The relay contacts are isolated from the input power and the dry contact input.

### FEATURES

- Remote power input, dry contact control
- LED indication
- UL listed
- Optional override switch

Functional Devices, Inc. **RIB**



RIB01SBDC



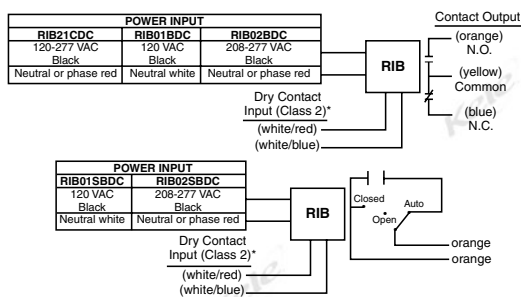
RIB21CDC



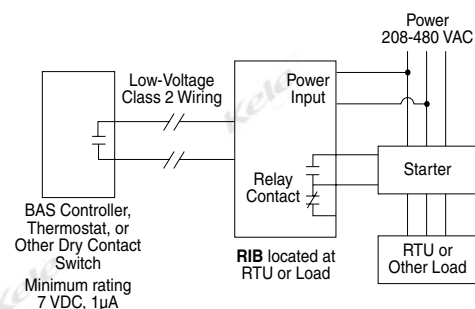
### SPECIFICATIONS

|                            |  |                              |   |
|----------------------------|--|------------------------------|---|
| <b>Coil Rating</b>         | 120 VAC @ 42 mA, 208-277 VAC @ 62 mA, 120-277 VAC @ 50 mA  | <b>Output Type</b>           | SPDT, SPST-NO                                 |
| <b>Contact Rating</b>      | 20A resistive @ 277 VAC, 1110 VA pilot duty @ 277 VAC, 770 VA pilot duty @ 120 VAC, 20A ballast 277 VAC, N.O. 10A ballast 277 VAC, N.C. 240W tungsten 120 VAC, N.C. 2 hp 277 VAC, 1 hp 120 VAC, 10A general use @ 250 VAC, 10A resistive @ 30 VDC, 1/2 hp 125-250 VAC, 470 VA pilot duty 120-240 VAC | <b>Wire Length</b>           | 16" (40.6 cm)                                 |
| <b>Frequency</b>           | 50/60 Hz   | <b>Operating Temperature</b> | -30° to 140°F (-34.4° to 60°F)                |
| <b>Controlling Contact</b> | SPST, 7 VDC, 1µA minimum   | <b>Operating Humidity</b>    | 5% to 95% non-condensing                      |
|                            |  | <b>Housing Type</b>          | NEMA 1, plemum                                |
|                            |  | <b>Conduit Hub</b>           | 1/2" NPT                                      |
|                            |  | <b>Dimensions</b>            |   |
|                            |  | <b>RIB01, RIB02</b>          | 2.3" H x 3.2" W x 1.8" D (5.8 x 8.1 x 4.6 cm) |
|                            |  | <b>RIB21CDC</b>              | 1.7" H x 2.8" W x 1.5" D (4.3 x 7.1 x 3.8 cm) |
|                            |  | <b>Approval</b>              | UL File E68805                                |
|                            |  | <b>Warranty</b>              | 1 year  |

### WIRING



### INSTALLATION



### ORDERING INFORMATION

| MODEL              | DESCRIPTION   |
|--------------------|---|
| <b>RIB01BDC</b>    | Dry contact input RIB, 120 VAC, SPDT, 20A                         |
| <b>RIB01SBDC</b>   | Dry contact input RIB, 120 VAC, SPST-NO, 20A, override switch     |
| <b>RIB02BDC</b>    | Dry contact input RIB, 208-277 VAC, SPDT, 20A                     |
| <b>RIB02SBDC</b>   | Dry contact input RIB, 208-277 VAC, SPST-NO, 20A, override switch |
| <b>RIB21CDC</b>    | Dry contact input RIB, 120-277 VAC, SPDT, 10A                     |
| <b>RIB21CDC-N4</b> | Dry contact input RIB, 120-277 VAC, SPDT, 10A, NEMA 4 housing     |